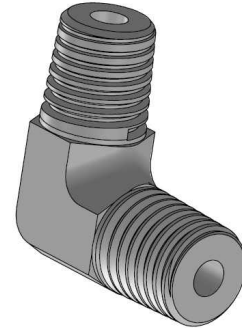
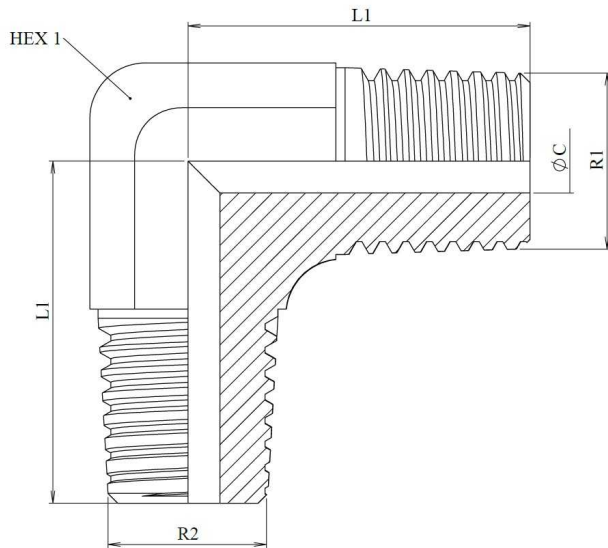


90° Elbow BSPT male-BSPT male forge

Carbon steel



| Part n° | R1 | R2 | L1 | HEX 1 | ØC |
|----------------|-----------|-----------|----|-------|----|
| S119504 | 1/4" BSPT | 1/4" BSPT | 27 | 14 | 6 |
| S119506 | 3/8" BSPT | 3/8" BSPT | 31 | 17 | 8 |
| S119508 | 1/2" BSPT | 1/2" BSPT | 36 | 22 | 12 |
| S119512 | 3/4" BSPT | 3/4" BSPT | 40 | 27 | 16 |
| S119516 | 1" BSPT | 1" BSPT | 50 | 36 | 22 |